

COMPACT CERAMIC HEATER

GCCH2K17



Instruction Manual

12
MONTH

MANUFACTURER'S
WARRANTY

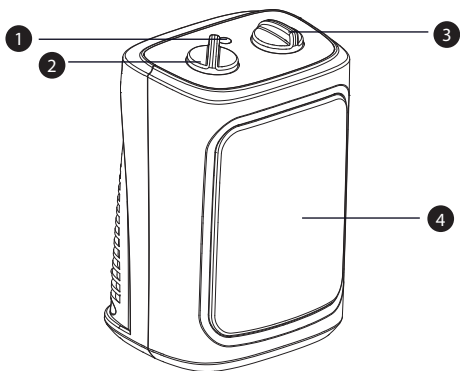
GVA

**THE 'V' STANDS
FOR VALUE.**

Contents

Guide to the Appliance	2
Caring for the Environment	3
Safety Information and Warnings	4
Items in the Box	11
Operation Instructions	12
Troubleshooting	13
Care and Maintenance	14
Technical Specifications	15

Guide to the Appliance



1. Indicator
2. Thermostat Control
3. Power Control
4. Heating Outlet



Due to production improvements, the appliance may differ slightly from the diagram shown. Diagrams in this instruction manual are for reference only.

Caring for the Environment

Responsible disposal of the packaging

The packaging of your appliance has been selected from environmentally friendly materials and can usually be recycled. Please ensure these are disposed of correctly.

Plastic wrapping can be a suffocation hazard for babies and young children, please ensure all packaging materials are out of reach and are safely disposed of. Please ensure they are offered for recycling rather than throwing these materials away.

Responsible disposal of the appliance

At the end of its working life, do not throw this appliance out with your household rubbish. An environmentally friendly method of disposal will ensure that valuable raw materials can be recovered and used again.

Electrical and electronic appliances contain materials and substances which, if handled or disposed of incorrectly, could be potentially hazardous on the environment and human health.

Observe any local regulations regarding the disposal of electrical consumer goods and dispose of it appropriately. Contact your local authorities for advice on recycling facilities in your area.

The plug must be rendered useless and the cable cut off directly behind the appliance or the machine to prevent misuse.

Safety Information and Warnings

Please follow all the safety precautions listed below for safety and to reduce the risk of injury or electrical shock.

- Read all the instructions before operating the appliance and keep them for future reference. If you pass the product on to a third party, include these instructions.
- This appliance is intended for indoor household use and similar applications such as:
 - farm houses and by clients in hotels, motels and other residential type environments;
 - bed and breakfast type environments;
 - catering and similar non-retail applications.
- Make sure your home voltage matches the voltage displayed on the appliance. If you are not sure, contact an electrician.
- Do not kink or wrap the mains cable and plug around the appliance, as this may cause the insulation to weaken and split, particularly where it enters the appliance.

Safety Information and Warnings

- Ensure the mains cable is fully extended before use and arrange it so that it is not in contact with any part of the appliance.
- Do not pull on the mains cable. Never move, carry or hang the appliance by the mains cable.
- Always position the appliance with the mains plug in an accessible position and avoid the use of an extension cable as it may overheat and create a potential fire risk.
- The appliance must have a minimum 20 cm clearance around all sides of the appliance.
- Ensure that the unit is used on a stable and level surface. If the floor surface is uneven there is a risk that the appliance could tip over. Also, excessive vibration and noise may occur. If the appliance should be accidentally tipped over, please immediately disconnect from the power supply.
- Do not use the appliance in wardrobes or near fabrics or clothing. Do not stand the

Safety Information and Warnings

appliance on deep pile carpets.

- Do not use the appliance in areas where petrol, paints or other flammable substances are used or stored.
- Do not use in very dusty areas as dust may accumulate on the heating elements and cause overheating.
- Do not use if there are any visible signs of damage to the appliance.
- Do not operate the appliance in direct sunlight, near heat sources, humid environments or in places near water or other liquids such as bathrooms, showers or swimming pools.
- Do not operate with wet hands or spill water or other liquids on to the appliance, the mains cable or plug.
- Always unplug the appliance when not in use.
- Never leave the appliance unattended when in use.
- The heater must not be located immediately below a mains socket.

Safety Information and Warnings

- Do not allow children to play with the appliance or sit, stand, or climb on it.
- Do not leave children alone or unattended in the area where the appliance is in use.
- For safety reasons a broken or damaged mains cable may only be replaced by the manufacturer or a similarly qualified person.
- This appliance is not intended for use by persons (including children) with reduced physical, sensory or mental capabilities, or lack of experience and knowledge, unless they have been given supervision or instruction concerning use of the appliance by a person responsible for their safety. Children shall not play with the appliance. Cleaning and user maintenance shall not be made by children without supervision.
- Children should be supervised to ensure that they do not play with the appliance.
- Never allow children to point their fingers into any power sockets or moving parts.

Safety Information and Warnings

- Do not block or restrict the airflow around the appliance. Position the unit so that the air inlet and exhaust grilles are not blocked or restricted in anyway.
- Do not push any objects in the air inlet and exhaust grilles.
- **WARNING:** In order to avoid overheating, do not cover the appliance.
- Do not use this heater with a programmer, timer, separate remote-control system or any other device that switches the heater on automatically, since a fire risk exists if the heater is covered or positioned incorrectly.
- Children should be kept away unless continuously supervised.
- Children shall not plug in, regulate and clean the appliance or perform user maintenance.
- **CAUTION:** Some parts of this product can become very hot and cause burns. Particular attention has to be given where children and vulnerable people are present.

Safety Information and Warnings

- Do not let the power cord hang over the edge of a bench or table, touch hot surfaces or become knotted.
- Switch the appliance and disconnect from supply before changing accessories or approaching parts that move in use.
- It is recommended to inspect the appliance regularly. Do not use the appliance if the power supply cord, plug, connector or appliance becomes damaged in anyway. Return the entire appliance to the nearest authorised Service Centre for examination and/or repair.
- This appliance is for household use only. Do not use this appliance for other than its intended use. Do not use in moving vehicles or boats. Do not use outdoors. Misuse may cause injury.

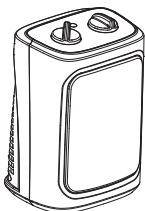
Safety Information and Warnings

- The installation of a residual current device (safety switch) is recommended to provide additional safety protection when using electrical appliances. It is advisable that a safety switch with a rated residual operating current not exceeding 30mA be installed in the electrical circuit supplying the appliance. See your electrician for professional advice.
- Always turn the appliance to the OFF position, switch off at the power outlet and unplug at the power outlet when the appliance is not in use.
- Do not place this appliance on or near a hot source, such as hot plate, oven or heaters.
- Position the appliance at a minimum distance of 20cm away from walls, curtains and other heat or steam sensitive materials and provide adequate space above and on all sides for air circulation.

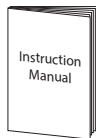
Items in the Box

Remove all items from the packaging. Retain the packaging. If you dispose of it please do so according to local regulations.

The following items are included:





Main Unit



Instruction Manual

Operation Instructions

- To switch on the heater, plug in to the power outlet and turn the power control to  (low heat),  (high heat) or just fan.



Before plugging in the unit, make sure the thermostat control is at minimum position and the power control is at OFF position.

- Turn the thermostat control to maximum position.
- Wait for the heater to fully heat up. When the room reaches the desired temperature, turn the thermostat control slowly anti-clockwise.
- If you want to raise the room temperature, turn the thermostat control slowly clockwise.
- To switch off the heater, turn the power control to OFF and turn the thermostat control to minimum position, then unplug from the power outlet.



Make sure the heater is standing upright on the floor away from curtains, furniture or wall coverings. Ensure the heater is standing on a flat stable surface.



In order to avoid overheating, do not cover the heater during operation.

Overheat Protection System

The power to the heater will automatically cut off if the temperature of the heater exceeds a certain limit. In the event of overheating, the heater will stop operating.

Switch off and unplug the heater, and allow it to completely cool.

Built-in Safety Tipover Switch

When you use the heater in an upright position on a firm and level surface, the built-in safety tipover switch will be on. In the event the heater is knocked over, the heater will stop functioning automatically.

Troubleshooting

Problem	Solution
The heater does not work when turned on.	<ul style="list-style-type: none">• Check that the heater is plugged in and the power is turned on at the mains socket.• Check that the heater is in an upright position.• If the heater still doesn't work, do not try to repair the heater yourself. Consult a repair specialist.
The heater's power is automatically cut off.	<ul style="list-style-type: none">• Unplug the heater and allow it to cool down.• Inspect the heater. Clean it if necessary. If there is any sign of physical damage (e.g. melting, or burning of the case), do not attempt to repair yourself. Consult a repair specialist.• Plug in the heater and switch on again. If it cuts off again, move the heater to a better ventilated location.

Care and Maintenance

- Always unplug the mains cable from the mains socket and allow the heater to cool down before cleaning.
- Your heater should be cleaned regularly to prevent dirt and dust from building up which will affect its performance.
- Wipe the unit with a soft damp (not wet) cloth.
- Never completely cover the unit with water or use chemicals or detergents as they could damage the unit in some way.

Technical Specifications

Rated Voltage	220-240V~
Rated Frequency	50 Hz
Input Power	1900 W

Features and specifications are subject to change without prior notice.



E2284



**THE 'V' STANDS
FOR VALUE.**

M.E.W. (Australia) Pty Ltd
15 Vaughan Street
Essendon Fields VIC 3041
ACN 152 719 036

1300 725 885
customer@gvaproducts.com.au
gvaproducts.com.au

While every effort has been made in the preparation of this instruction manual, the publishers cannot be held responsible for the accuracy of the information contained herein or any consequences arising from it.

IB-GCCH2K17-161128V1