

Maintenance

Once you have mounted the bracket and the flat screen, check that they are sufficiently secure and safe to use. You should check whether screws are fixed well each two months. If you have any doubts regarding the installation, please consult our retailer or service department for details.

24"-60" Fixed TV Wall Bracket

/ GVA2T



Instruction Manual

12
MONTH

MANUFACTURER'S
WARRANTY

GVA

THE 'V' STANDS
FOR VALUE.



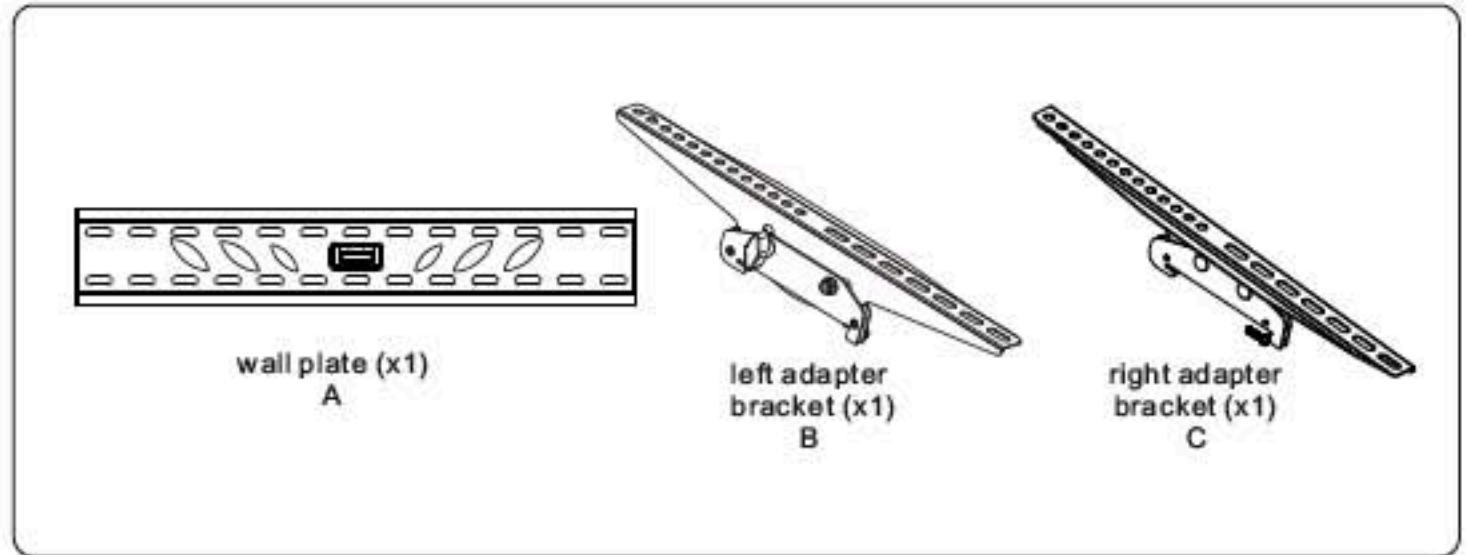
NOTE: Read entire instruction sheet before you start installation and assembly.

⚠ WARNING

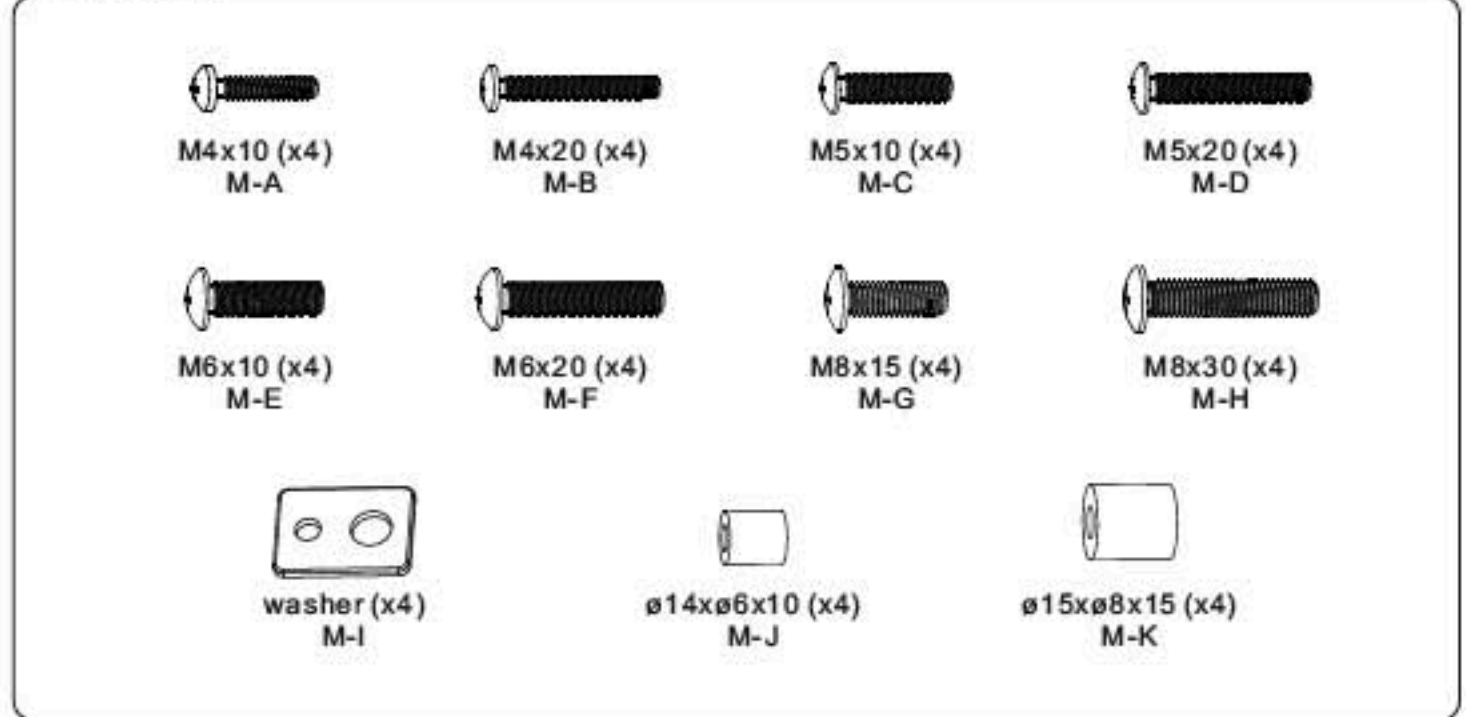
- Do not begin the installation of the product before you have read and understood the instructions and warnings contained in this installation sheet. If you have any question regarding any of the instruction or warning, Please contact your local distributor.
- Please refer to the installation guide recommendation for required distance from wall to avoid risk of property damage.
- This product should only be installed by someone of good mechanical aptitude, with experience and basic building, and fully understands.
- Make sure that the supporting surface will safely support the combined load of the equipment and all attached hardware and components.
- Never exceed the maximum load capacity.
- If mounting to wood wall studs, make sure that mounting screws are anchored into the center of the studs. Use of an "edge to edge" stud finder is highly recommended.
- Always use an assistant or mechanical lifting equipment to safely lift and position equipment.
- Tighten screws firmly, but do not over tighten. Over tightening can damage the items, greatly reducing their holding power.
- This product intended for indoor use only. Using this product outdoors could lead to product failure and personal injury.

Component Checklist

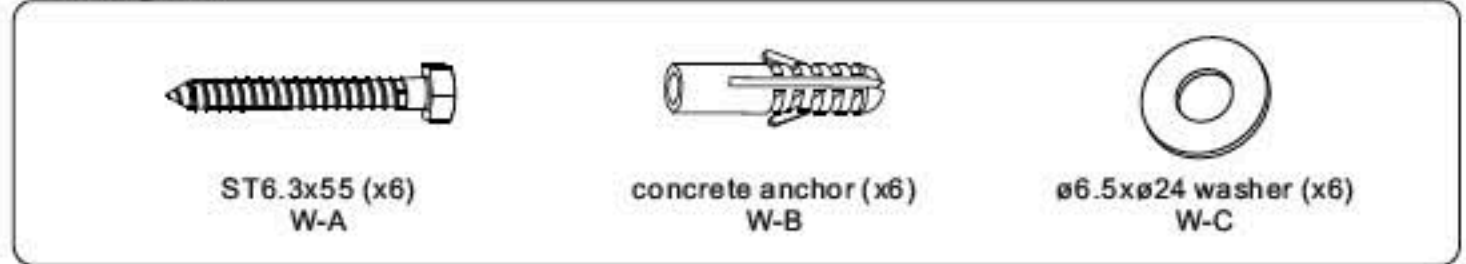
IMPORTANT: Ensure you have received all parts against the component checklist prior to installing. If any parts are missing or faulty, telephone the special franchiser for a replacement.



Package M



Package W



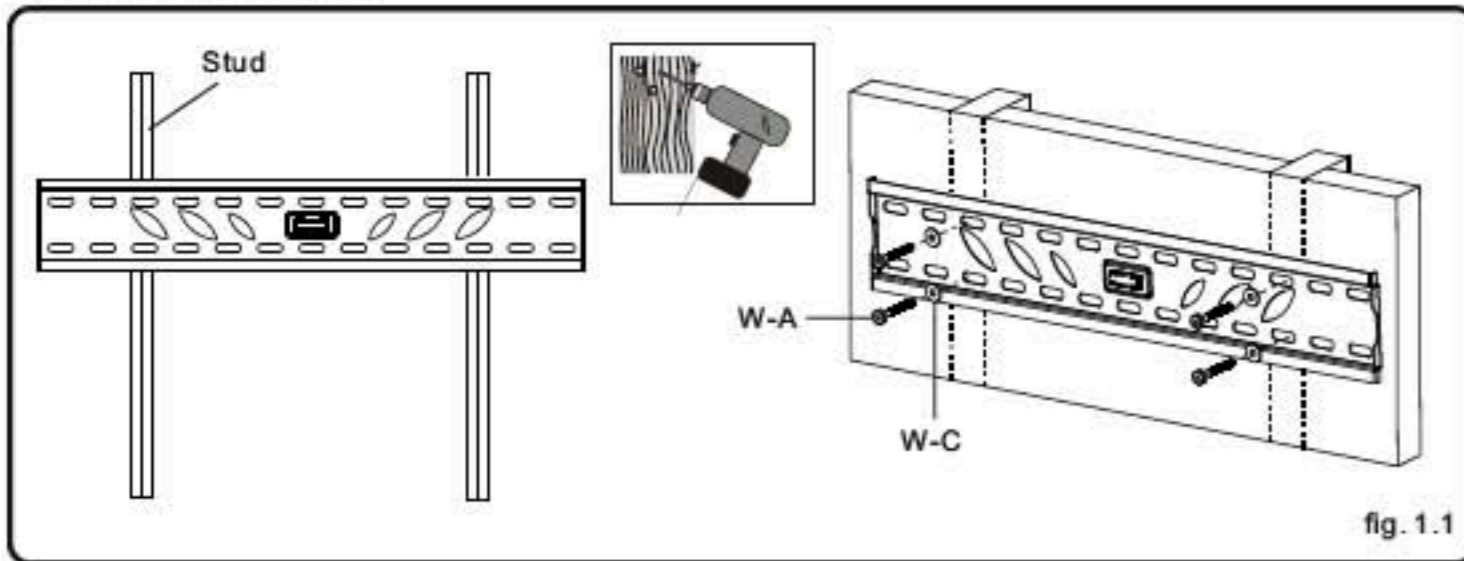
Tools required

- Phillips Head Screw driver (200mm length exclude the handle)
- M6 Socket and Wrench
- Electric drill and 10mm masonry bit for concrete wall installation
- Marking Pen
- Hammer

1a WOOD STUD WALL MOUNTING:

WARNING

- Make sure that the supporting surface will safely support the combined load of the equipment and all attached hardware and components.
- Tighten wood screws firmly, but do not over tighten. Over tightening can damage the screws, greatly reducing their holding power.
- Make sure that mounting screws are anchored into the center of the studs. Use of an "edge to edge" stud finder is highly recommended.
- Hardware provided is for attachment of mount through standard thickness drywall or plaster into studs. Installers are responsible to provide hardware for other types of mounting situations.
- Wall plate can be mounted to two studs. Use a stud finder to locate the edges of the studs. Use of an edge-to-edge stud finder is highly recommended. Based on their edges, draw a vertical line down each stud's center.
- Place wall plate on wall as a template. And mark the center of the four mounting holes. Make sure that the mounting holes are on the stud centerline.
- Drill four 1/8" (3mm) dia. Holes 1.2" (30mm) deep, secure it using four screws (W-A) and four M6 washers (W-C) as shown in fig. 1.1.

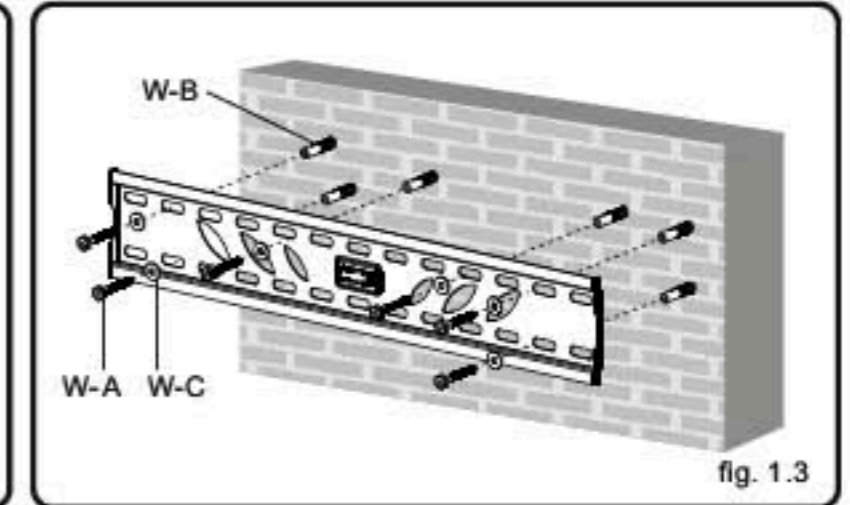
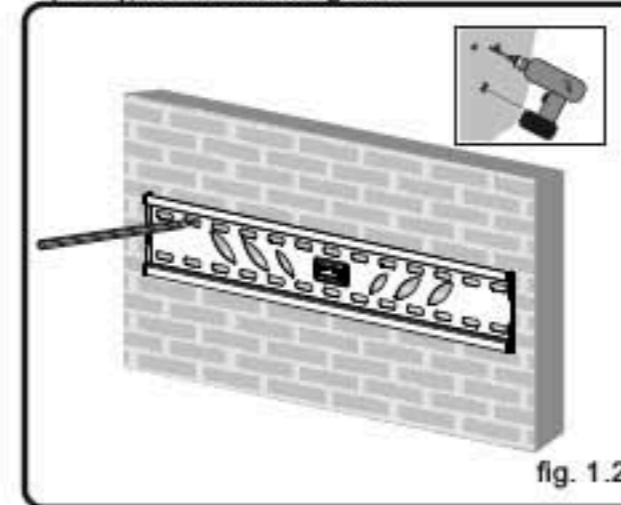


1b SOLID BRICK AND CONCRETE BLOCK MOUNTING:

WARNING

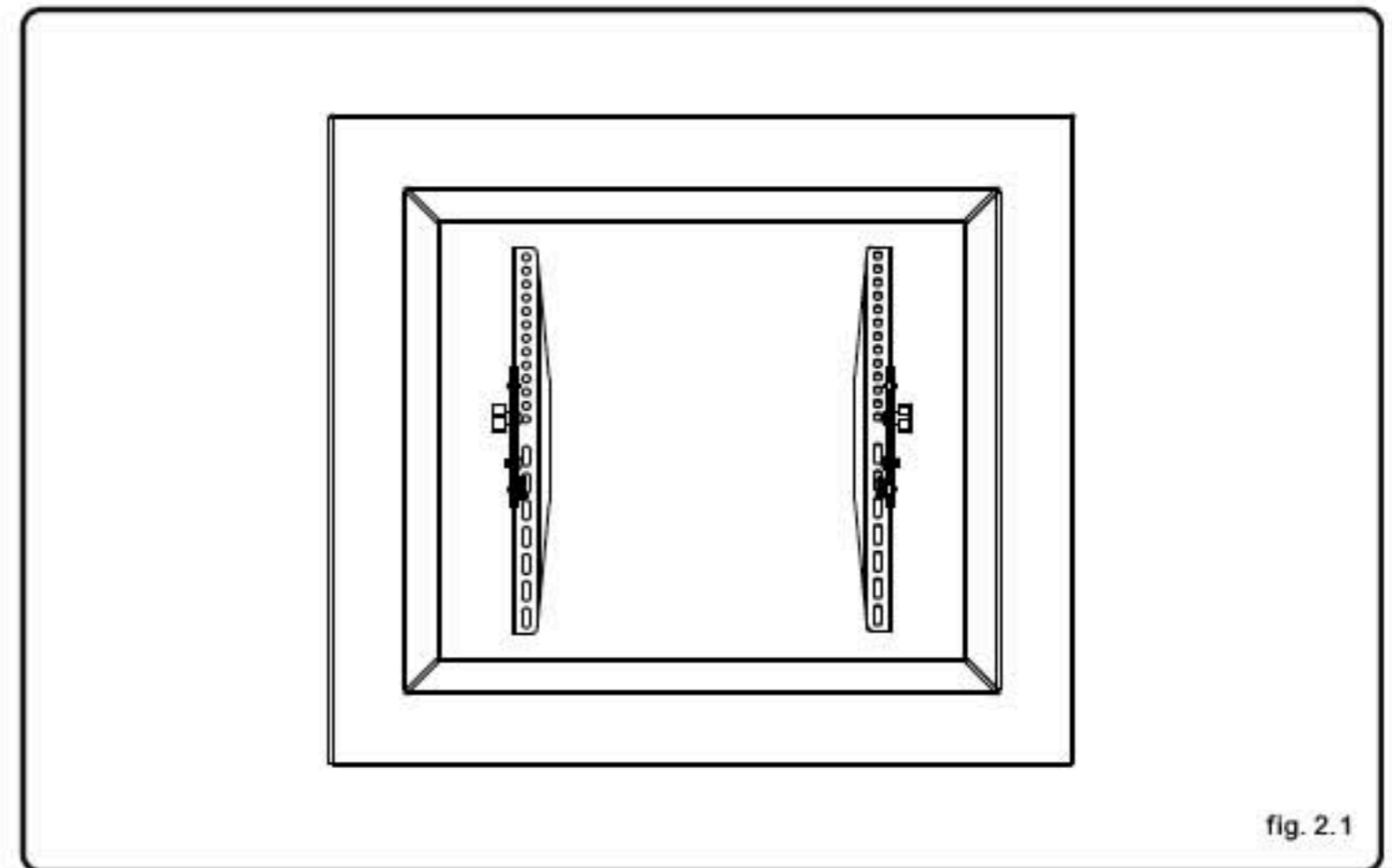
- When installing wall mounts on cinder block, verify that you have a minimum of 1-3/8" of actual concrete thickness in the hole to be used for the concrete anchors. Do not drill into mortar joints! Be sure to mount in a solid part of the block, generally 1" minimum from the side of the block. It is suggested electric drill on slow setting is used to drill the hole instead of a hammer drill to avoid breaking out the back of the hole when entering a void or cavity.
- Installer must verify that the supporting surface will safely support the combined load of the equipment and all attached hardware and components.

- Use the wall plate as a template to mark six holes locations on the wall. Four in the top row slots and two more in the bottom row, as shown in fig.1.2.
- Pre-drill these holes with a 10mm masonry bit to at least 60mm in depth. Insert a concrete anchor (W-B) into each of these holes. Attach the wall plate to the wall using six screws (W-A) and six M6 washers (W-C), as shown in fig.1.3.



2 Installing Adapter Brackets

- To prevent scratching the screen, set a cloth on a flat, level surface that will support the weight of the screen.
- Place screen face side down. Place adapter brackets on the back of screen, align to holes, as shown in fig.2.1.
- Attach the adapter brackets to the back of the screen using the appropriate combination of screws, washers, spacers as shown in fig.2.2, fig.2.3 and fig.2.4.

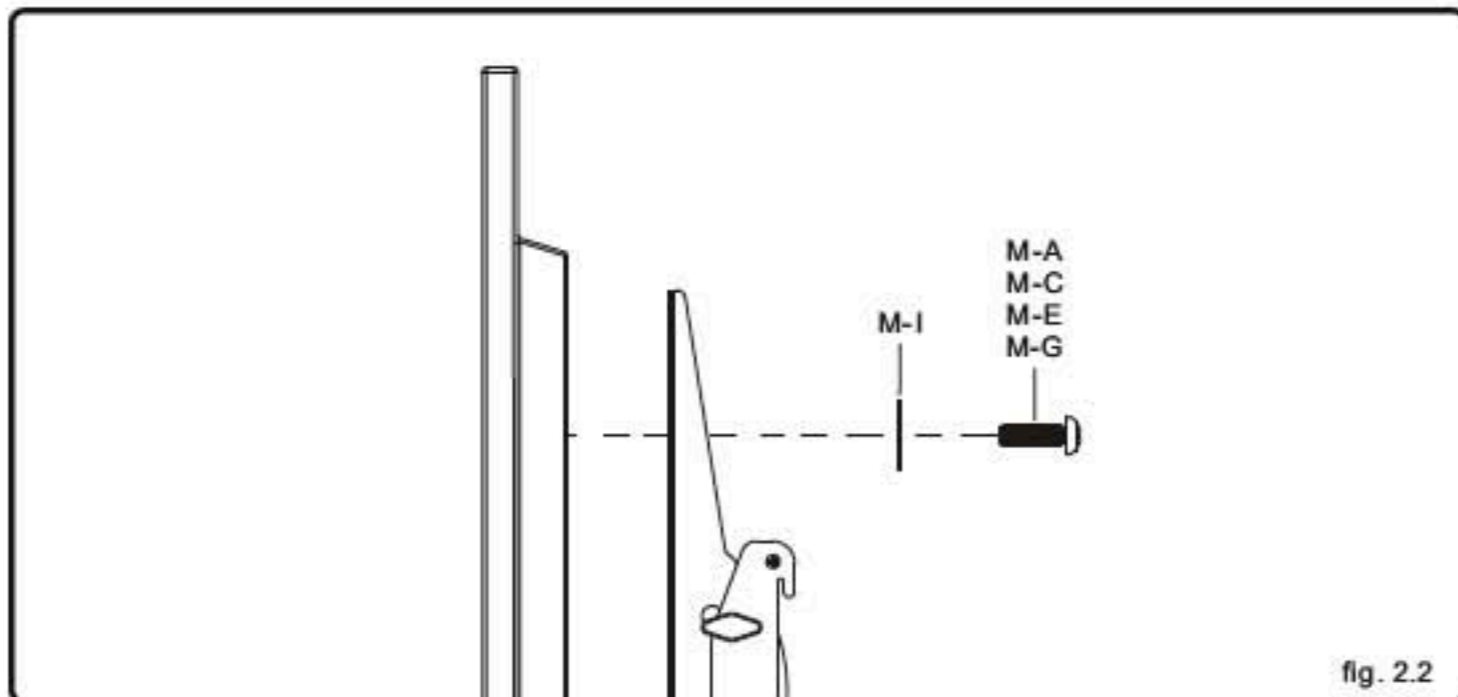


NOTE: For flat back screens proceed to step 2-1. For bump-out or recessed back screen skip to step 2-2.

2
1**For Flat Back Screen**

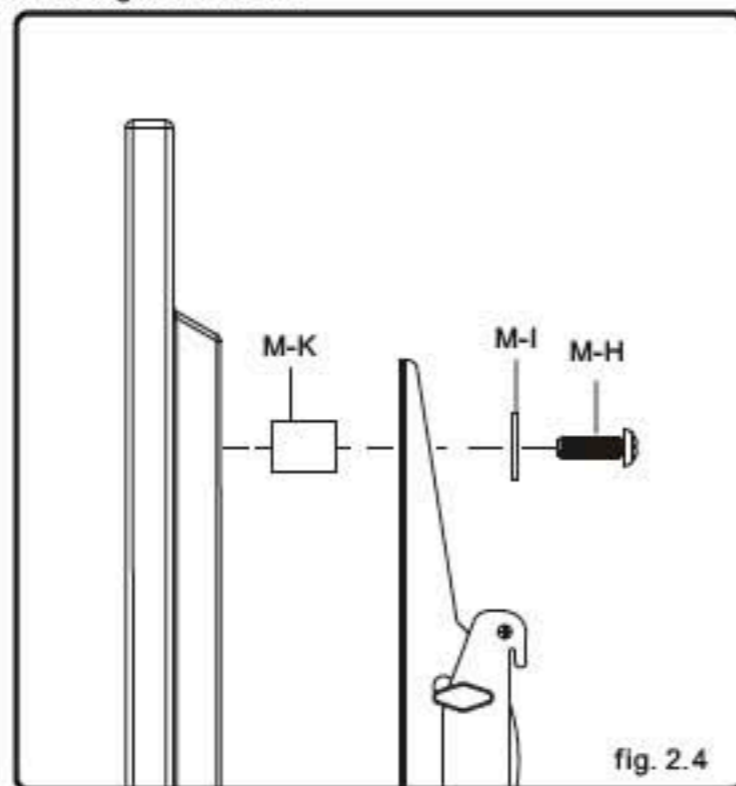
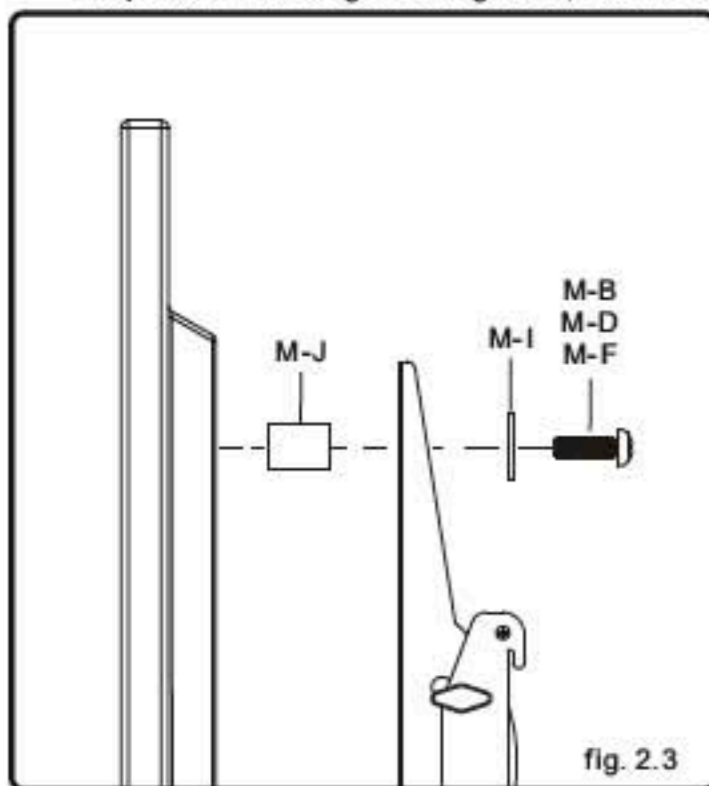
- Begin with the shortest length screw, hand thread through washer and adapter bracket into screen as shown below.
- Screw must make at least three full turns into mounting hole and fit snug into place. Do not over tighten.
- If screw cannot make three full turns into screen, select a longer length screw from the baffled fastener pack.

Repeat for remaining mounting holes, level brackets and tighten screws.

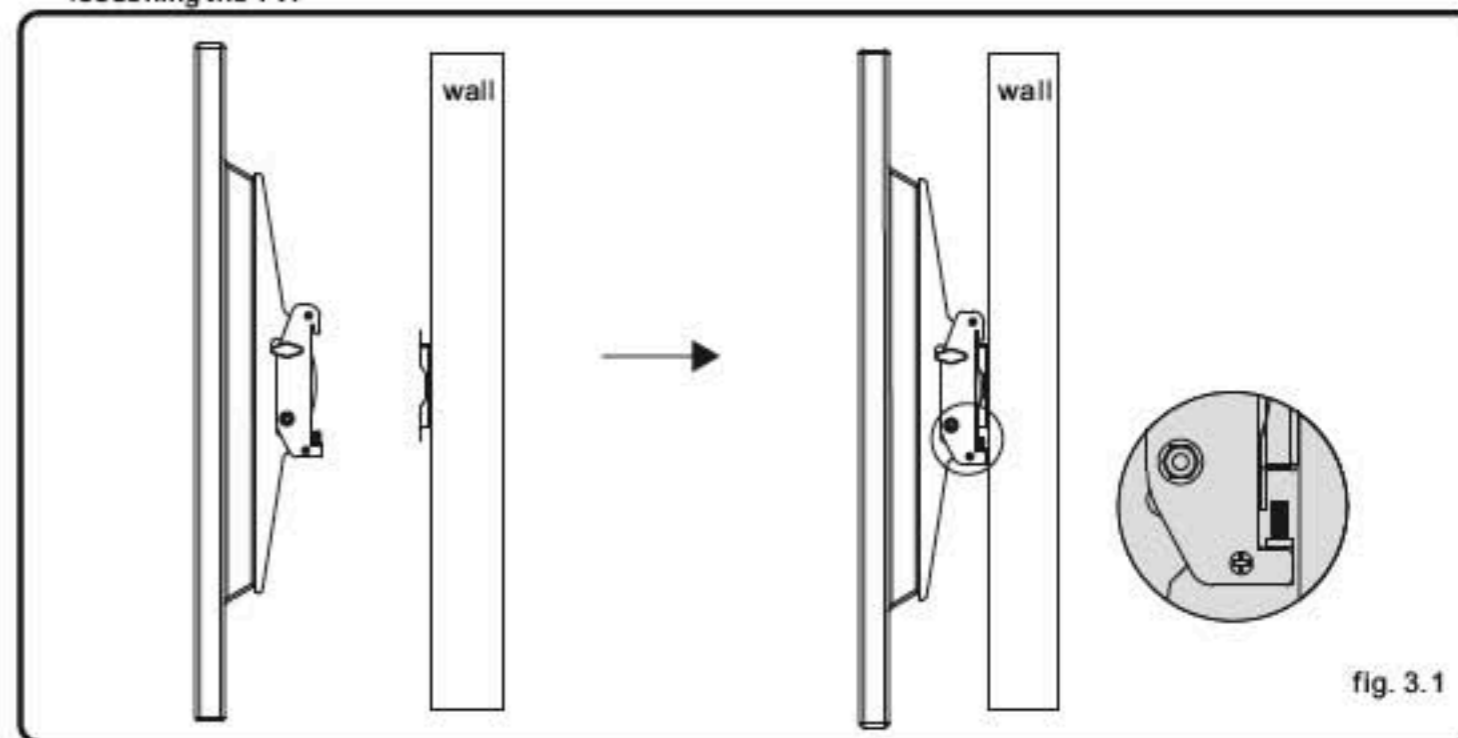
NOTE: Spacer may not be used, depending upon the type of screen.2
2**For Bump-out or Recessed Back Screen**

- Begin with longer length screw, hand thread through washer, adapter bracket and spacer into screen as shown below.
- Screw must make at least three full turns into mounting hole and fit snug into place. Do not over tighten.
- If screw cannot make three full turns into screen, select a longer length screw from the baffled fastener pack.

Repeat for remaining mounting holes, level brackets and tighten screws.

**3 Hang the brackets mounted TV onto the wall plate****Warning:** A minimum of two qualified people are required for this operation.

- Loosen the safety screw on the display brackets.
- Hook the TV mounted display brackets over the top of the wall plate as shown in fig. 3.1.
- Tighten the safety screws on the display brackets with a proper screw driver as shown in fig. 3.1.

Important: Make sure the TV is correctly hooked and the safety locking screws are locked safely before loosening the TV.**4 Pitching angle adjustment**Use the tilt adjusting knob to adjust your TV to the desired angle, the pitching angle can be adjusted between $+10^\circ \sim -15^\circ$, as shown in fig. 4.1.