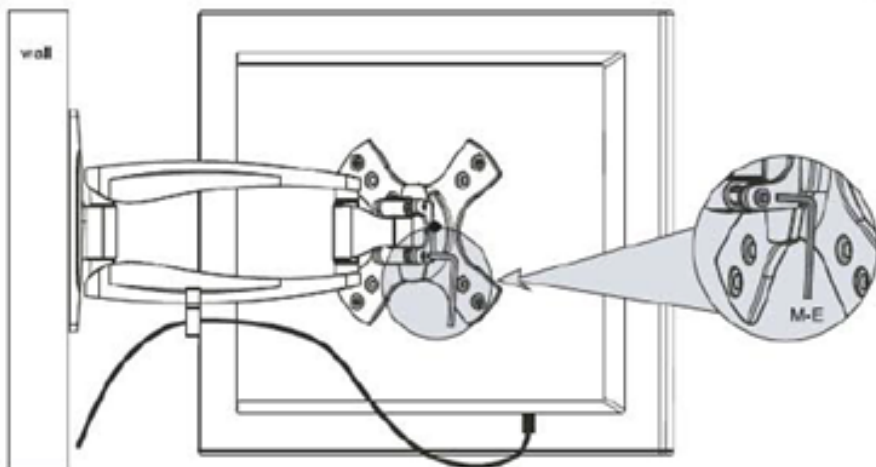
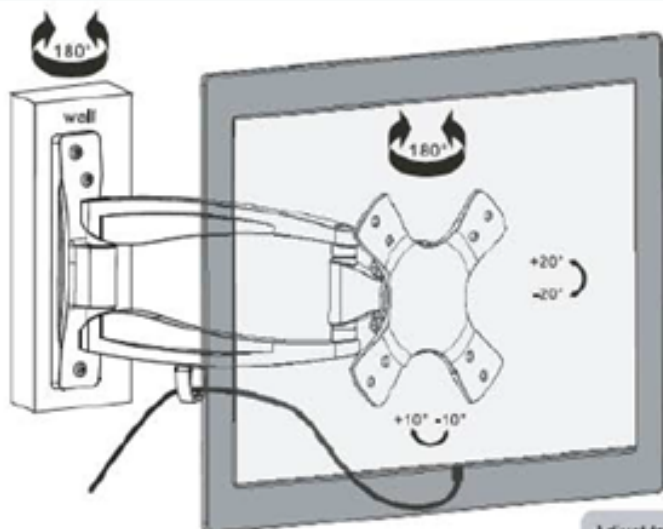


## 6. Adjustment



It is necessary to slightly loosen or tighten the adjustment screws using a supplied Allen key according to the different weight of display.



Adjust to desired location or tilt.

### Maintenance

- Check that the bracket is secure and safe to use at regular intervals (at least every three months).

# 13"-32" Full Motion TV Wall Bracket

/ GVA3FM



## Instruction Manual

12  
MONTH

MANUFACTURER'S  
WARRANTY

**GVA**

THE 'V' STANDS  
FOR VALUE.



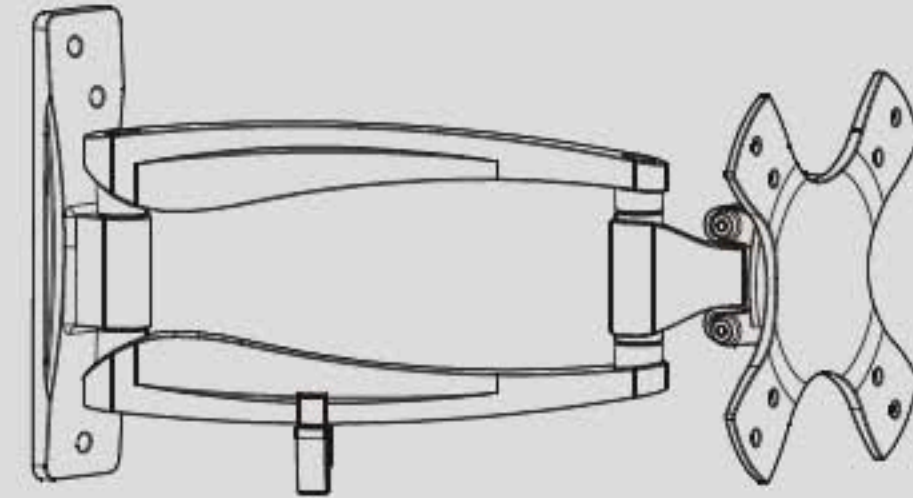
**NOTE:** Read the entire instruction manual before you start installation and assembly.

## WARNING

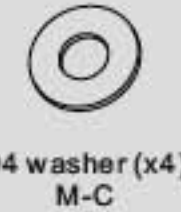
- Do not begin the installation until you have read and understood the instructions and warnings contained in this installation sheet. If you have any questions regarding any of the instruction or warning, please contact your local distributor.
- This mounting bracket was designed to be installed and utilized **ONLY** as specified in this manual. Improper installation of this product may cause damage or serious injury.
- This product should only be installed by someone of good mechanical ability, with basic building experiences and fully understanding of this manual.
- Make sure that the supporting surface will safely support the combined load of the equipment and all attached hardware and components.
- If mounting to wood wall studs, make sure that mounting screws are anchored into the center of the studs. Use of a stud finder is highly recommended.
- Always use an assistant or mechanical lifting equipment to safely lift and position equipment.
- Tighten screws firmly, but do not over tighten. Over tightening can damage the items, greatly reducing their holding power.
- This product intended for indoor use only. Using this product outdoors could lead to product failure and personal injury.

## Component Checklist

**IMPORTANT:** Ensure that you have received all parts according to the component checklist prior to installing. If any parts are missing or faulty, telephone your local distributor for a replacement.



### Package M

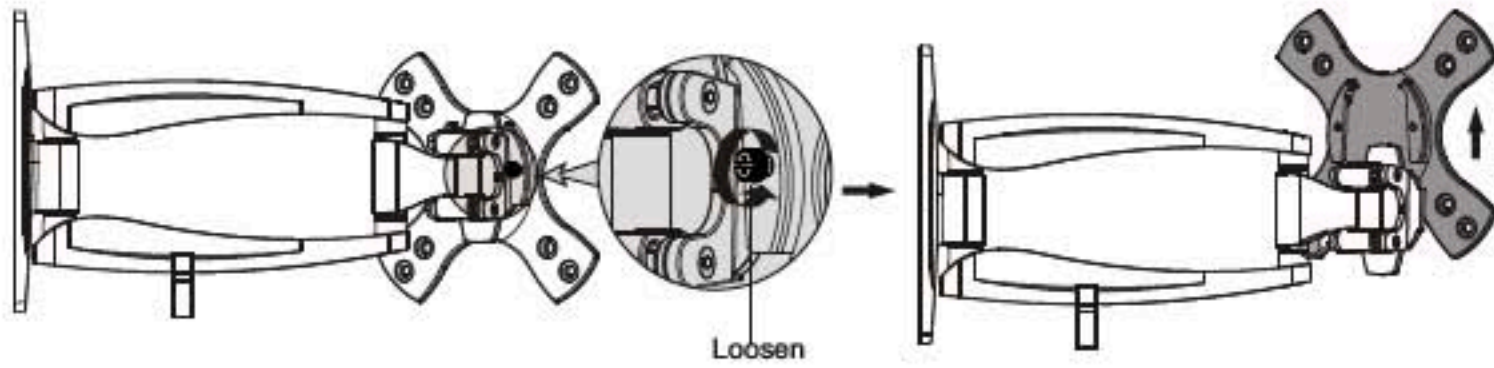


### Package W

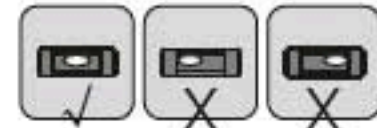
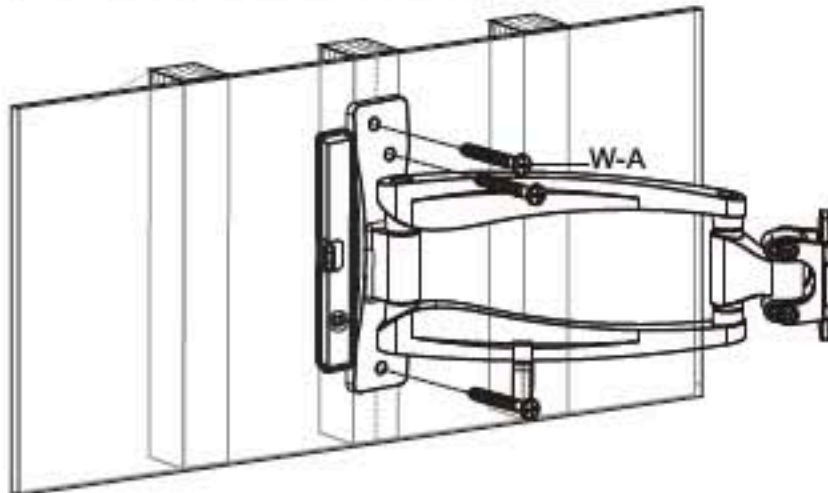
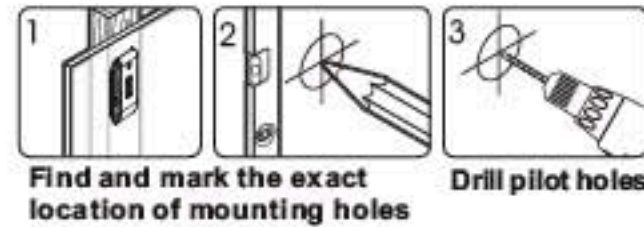
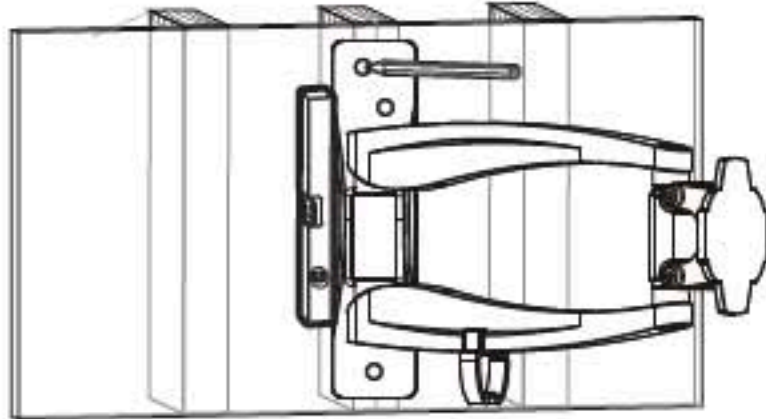
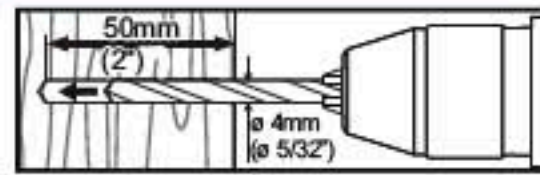




## 1. Disassemble the VESA Plate



## 2a. Mount on Wood Stud Wall

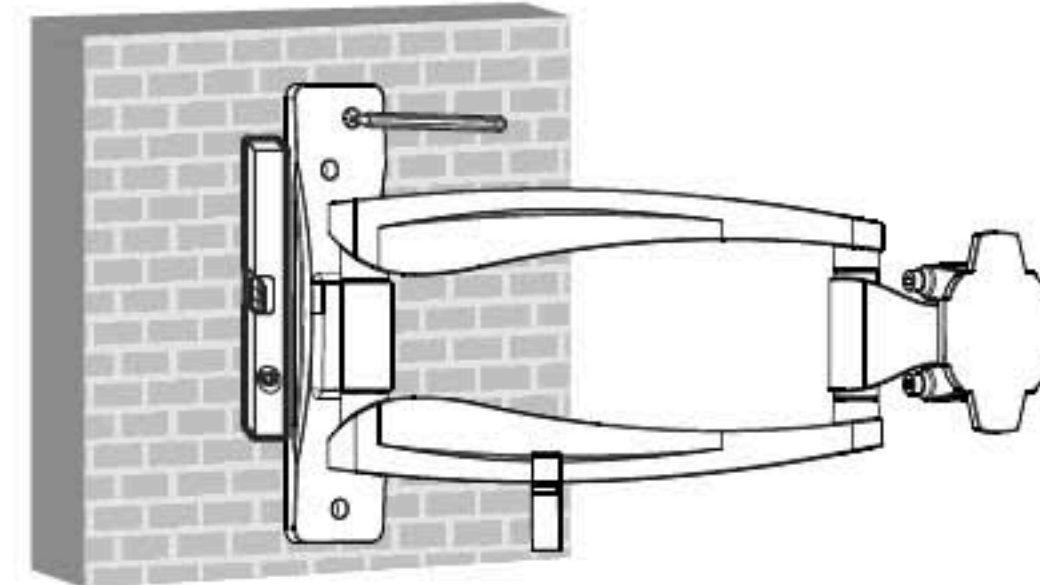
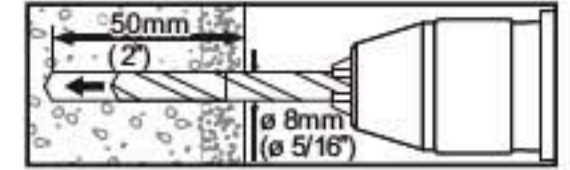


Screw the wall mount onto the wall

### ⚠ WARNING

- Make sure that mounting screws are anchored into the center of the studs. Use of a stud finder is highly recommended.
- Installers are responsible to provide hardware for other types of mounting situations.
- Installer must verify that the supporting surface will safely support the combined load of the equipment and all attached hardware and components.

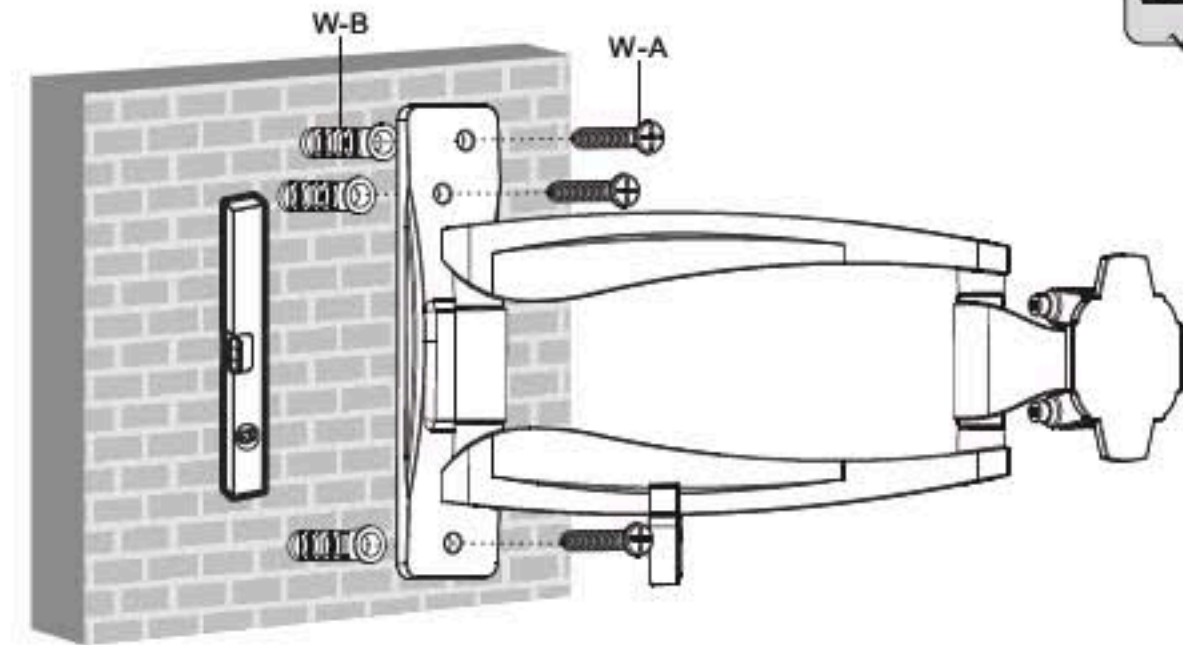
## 2b. Mount on Solid Brick and Concrete Block



Mark the exact location of mounting holes



Drill pilot holes



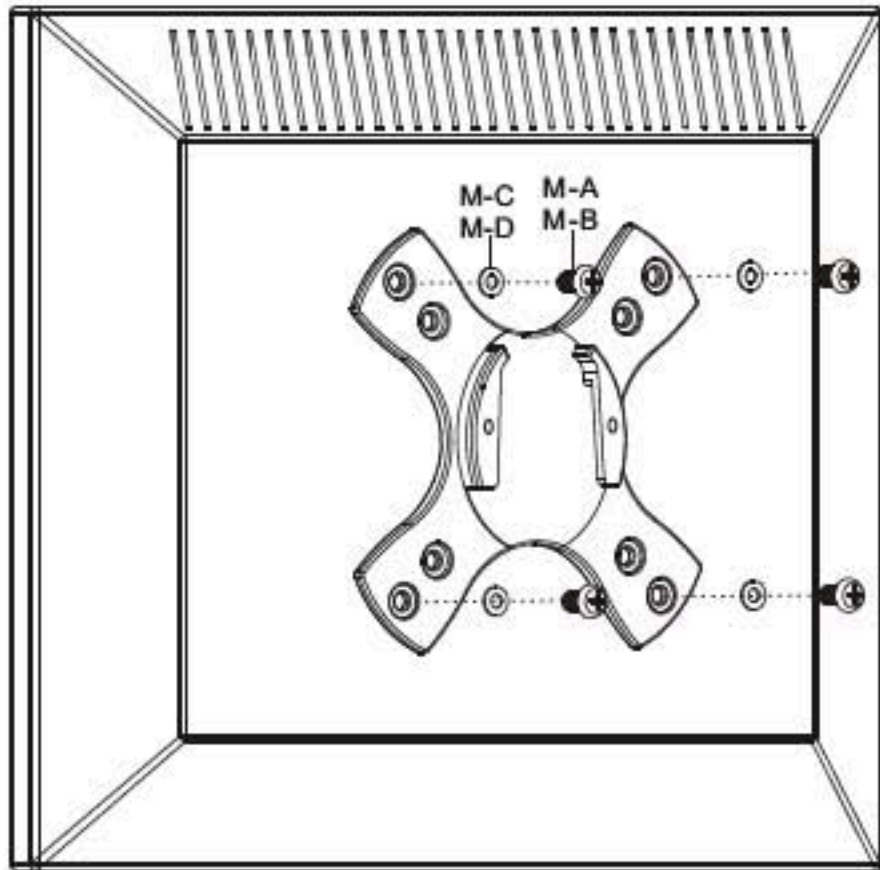
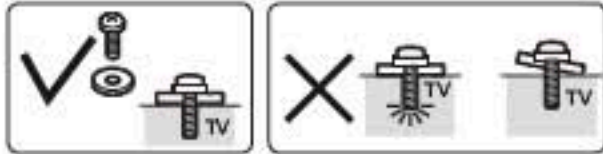
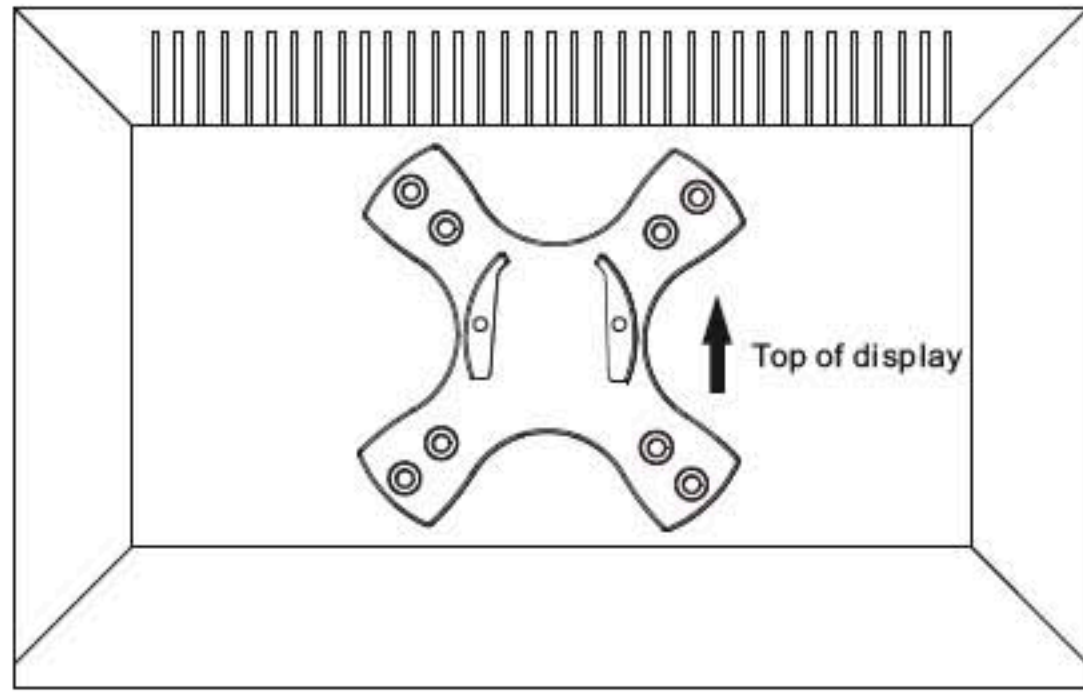
Screw the wall mount onto the wall

### ⚠ WARNING

- When installing wall mounts on cinder block, verify the actual concrete thickness is at least 1-3/8" (35mm) for using the concrete anchors. Do not drill into mortar joints! Be sure to mount in a solid part of the block, generally 1" (25mm) minimum from the side of the block. It is suggested electric drill on slow setting is used to drill the hole instead of a hammer drill to avoid breaking out the back of the hole when entering a void or cavity.
- Installer must verify that the supporting surface will safely support the combined load of the equipment and all attached hardware and components.



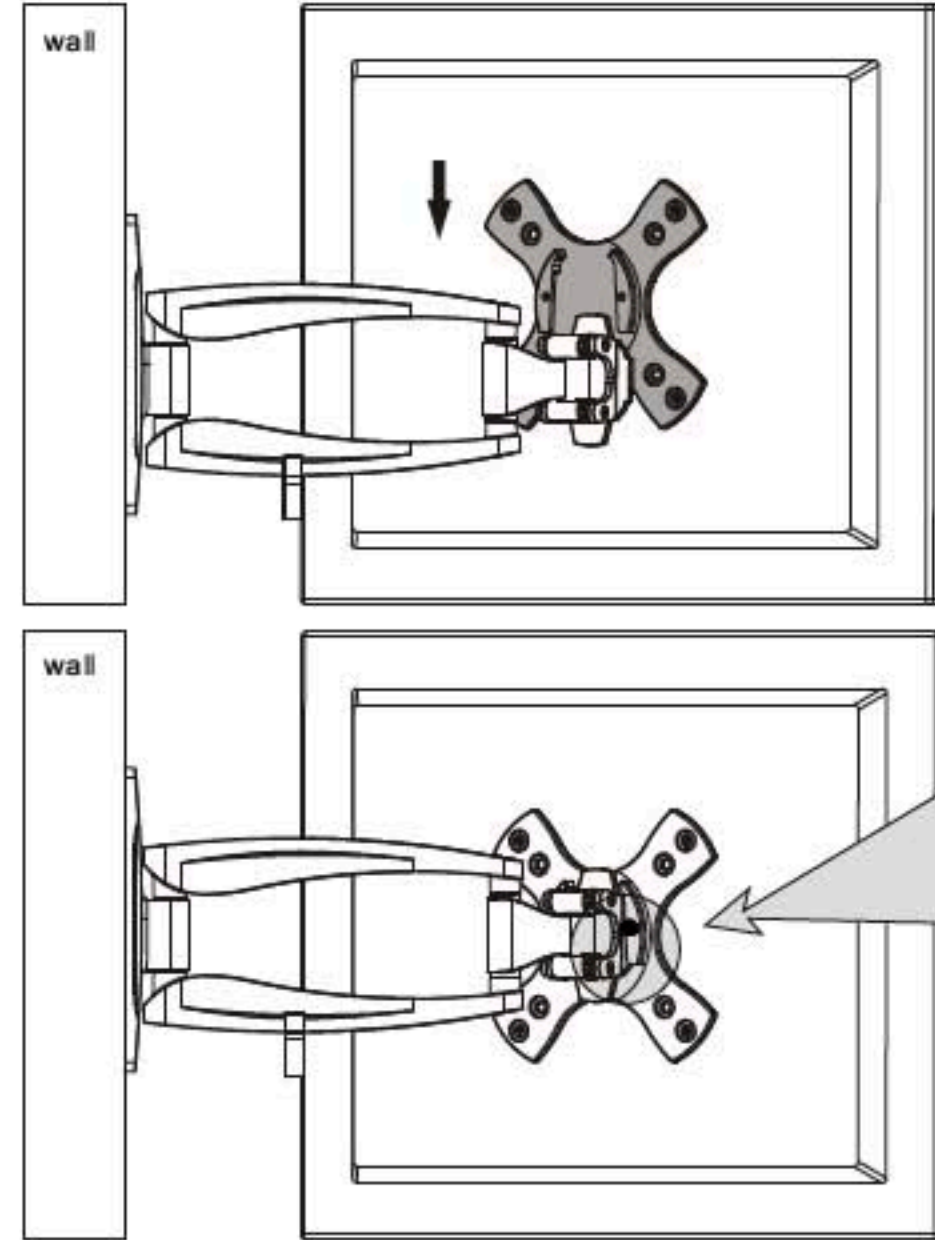
### 3. Install VESA Plate



Screw VESA plate onto the display.

Tighten all screws but do not over tighten.

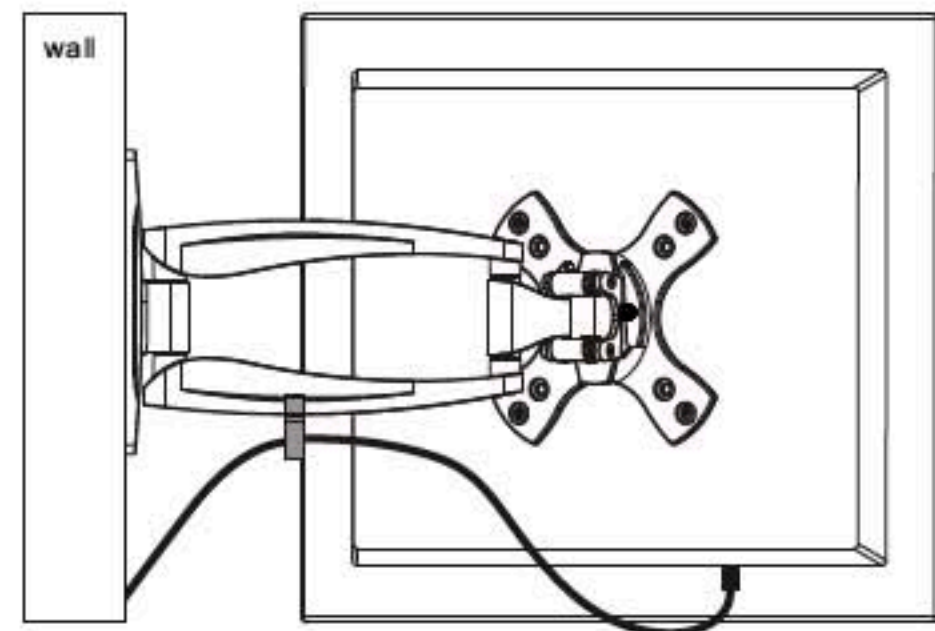
### 4. Install the Display



Tighten by hand

Slide the head of VESA plate along VESA plate mount rail until it snug fits into the VESA plate mount. Then tighten screws (just removed) by hand.

### 5. Cable Management



Connect cables to your display and run cables through the wire clip.  
**Note:** Leave slack in cable for cantilever arm movement.