

20L White Microwave

GVAEM720CCC



Instruction Manual

12
MONTH

MANUFACTURER'S
WARRANTY

GVA

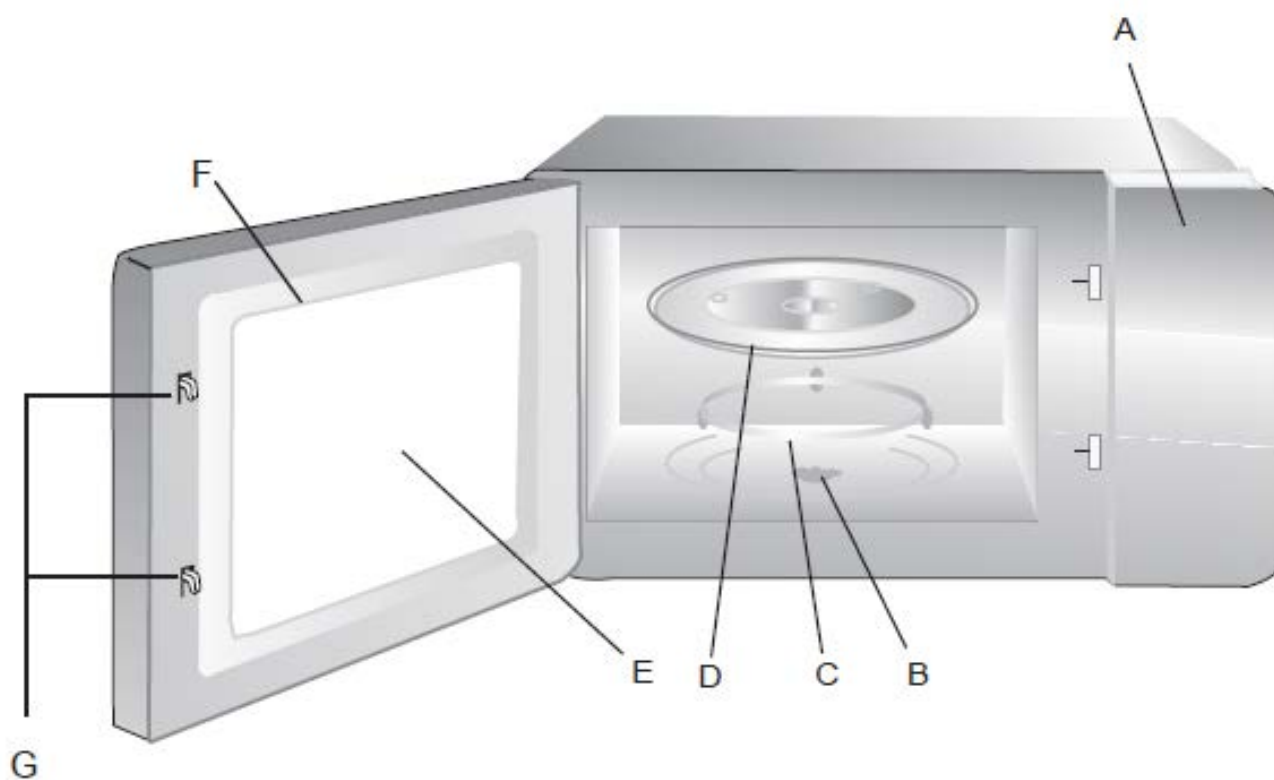
THE 'V' STANDS
FOR VALUE.

Contents

Guide to the Appliance	2
Caring for the Environment	3
Safety Information and Warnings	4
Getting Started	7
Basic Set Up	8
Operation Instructions	9
Advanced Features	12
Hints and Tips	14
Troubleshooting	15
Care and Maintenance	16
Technical Specifications	17

Guide to the Appliance

Remove the oven and all materials from the carton and oven cavity.



- A. Control panel
- B. Turntable shaft
- C. Turntable ring assembly
- D. Glass tray
- E. Observation window
- F. Door assembly
- G. Safety interlock system

Note: Due to production improvements, the appliance may differ slightly from the diagram shown. Diagrams in this instruction manual are ready for reference only.

Caring for the Environment

Responsible disposal of the packaging

The packaging of your appliance has been selected from environmentally friendly materials and can usually be recycled. Please ensure these are disposed of correctly.

Plastic wrapping can be a suffocation hazard for babies and young children, please ensure all packaging materials are out of reach and are safely disposed of. Please ensure they are offered for recycling rather than throwing these materials away.

Responsible disposal of the appliance

At the end of its working life, do not throw this appliance out with your household rubbish. An environmentally friendly method of disposal will ensure that valuable raw materials can be recovered and used again.

Electrical and electronic appliances contain materials and substances which, if handled or disposed of incorrectly, could be potentially hazardous on the environment and human health.

Observe any local regulations regarding the disposal of electrical consumer goods and dispose of it appropriately.

The plug must be rendered useless and the cable cut off directly behind the appliance or the machine to prevent misuse.

Safety Information and Warnings

IMPORTANT SAFETY INSTRUCTIONS READ CAREFULLY AND KEEP FOR FUTURE REFERENCE.

To avoid possible exposure to excessive microwave energy follow the below precautions.

Do not attempt to operate this oven with the door open, this can result in harmful exposure to microwave energy. It is important not to break or tamper with the safety interlocks.

Do not place any object between the oven front face and the door or allow soil or cleaner residue to accumulate on sealing surfaces.

WARNING: If the door or door seals are damaged, the oven must not be operated until it has been repaired by a qualified person.

To reduce the risk of fire, electric shock, injury to persons or exposure to excessive microwave oven energy when using your appliance, follow basic precautions, including the following:

- **WARNING:** Liquids and other foods must not be heated in sealed containers as they are liable to explode.
- **WARNING:** It is hazardous for anyone other than a qualified person to carry out any service or repair that involves the removal of a cover which gives protection against exposure to microwave energy.
- The appliance is not intended for use by persons (including children) with reduced physical, sensory or mental capabilities, or lack of experience and knowledge, unless they have been given supervision or instruction concerning the use of the appliance by a person who responsible for their safety.
- Children should be supervised to ensure they do not play with the appliance.
- Keep the appliance and its cord out of reach of children.
- Only use utensils suitable for use in microwave ovens.
- The oven should be cleaned regularly and any food deposits should be removed.
- When heating food in plastic or paper containers, keep an eye on the oven due to the possibility of ignition.
- If smoke is emitted, switch off or unplug the appliance and keep the door closed in order to stifle any flames.
- Do not overcook food.
- Do not use the oven cavity for storage purposes. Do not store items, such as bread, cookies, etc. inside the oven.
- Remove wire twist-ties and metal handles from paper or plastic containers/bags before placing them in the oven.
- Install or locate this oven only in accordance with the installation instructions provided.
- Eggs in the shell and whole hard-boiled eggs should not be heated in microwave ovens as they may explode whilst in the microwave or after cooking time has ended.
- This appliance is intended to be used in households and similar applications such as:
 - staff kitchen areas in shops, offices and other working environments;
 - by clients in hotels, motels and other residential type environments;
 - farm houses;
 - bed and breakfast type environments.

Safety Information and Warnings

- If the supply cord is damaged, it must be replaced by the manufacturer, its service agent or similarly qualified persons in order to avoid a hazard.
- Do not store or use this appliance outdoors.
- Do not use this oven near water, in a wet basement or near a swimming pool.
- The temperature of accessible surfaces may be high when the appliance is operating. The surfaces are liable to get hot during use. Keep the cord away from the heated surface, and do not cover any of the vents on the appliance.
- Do not let the power cord hang over edge of table or counter.
- Failure to maintain the appliance in a clean condition could lead to deterioration of the surface, which could adversely affect the life of the appliance and possibly result in a hazardous situation.
- The contents of feeding bottles and baby food jars should be stirred or shaken and the temperature checked before consumption, in order to avoid burns.
- Microwave heating of beverages can result in delayed eruptive boiling; therefore care must be taken when handling the container.
- Children should be supervised to ensure that they do not play with the appliance.
- The appliance is not intended to be operated by means of an external timer or separate remote-control system.
- Accessible parts may become hot during use. Young children should be kept away.
- Steam cleaners are not to be used.
- During use the appliance becomes hot.
- Only use the temperature probe recommended for this oven (for ovens provided with a facility to use a temperature-sensing probe.)
- **WARNING:** The appliance and its accessible parts become hot during use. Care should be taken to avoid touching heating elements should be kept away unless supervised.
- The microwave oven must be operated with the decorative door open (for ovens with a decorative door).
- The rear surface of the appliance should be placed against a wall.
- The microwave oven should not be placed in a cabinet unless it has been tested in a cabinet.
- The microwave oven is intended for heating food and beverages. Drying of food or clothing and heating of warming pads, slippers, sponges, damp clothes and similar items may lead to risk of injury, ignition or fire.
- It is very dangerous to operate the appliance without any food inside.

Safety Information and Warnings

DANGER. Electric Shock Hazard. Touching some of the internal components can cause serious personal injury or death. Do not disassemble this appliance.

WARNING. Electric Shock Hazard. Improper use of the grounding can result in electric shock. Do not plug into an outlet until appliance is properly installed and grounded.

This appliance must be grounded. In the event of an electrical short circuit, grounding reduces the risk of electric shock by providing an escape wire for the electric current. This appliance is equipped with a cord having a grounding wire with a grounding plug. The plug must be plugged into an outlet that is properly installed and grounded.

Consult a qualified electrician or serviceman if the grounding instructions are not completely understood or if doubt exists as to whether the appliance is properly grounded. If it is necessary to use an extension cord, use only a 3-wire extension cord.

A short power-supply cord is provided to reduce the risks resulting from becoming entangled in or tripping over a longer cord.

If a long cord set or extension cord is used:

1. The marked electrical rating of the cord set or extension cord should be at least as great as the electrical rating of the appliance.
2. The extension cord must be a grounding-type 3-wire cord.
3. The long cord should be arranged so that it will not drape over the counter or tabletop where it can be pulled on by children or tripped over unintentionally.

WARNING. Some utensils are not safe to use in the appliance, this includes some non-metallic utensils. If in doubt, you can test the utensil in question following the procedure below.

1. Fill a microwave-safe container with 1 cup of cold water (250ml) along with the utensil in question.
2. Cook on maximum power for 1 minute.
3. Carefully feel the utensil. If the empty utensil is warm, do not use it for microwave cooking.

Do not exceed 1 minute cooking time.

Getting Started

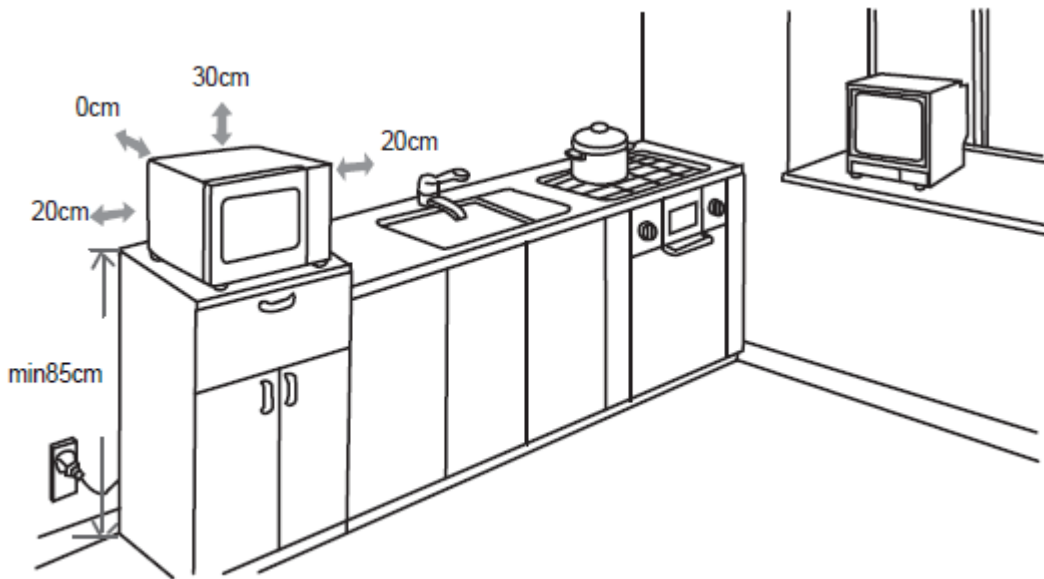
Remove all packing material and accessories. Examine the oven for any damage such as dents or broken door. Do not install if the appliance is damaged.

This is a free standing appliance and is not designed to be built-in. do not block any intake or outlet openings on the appliance.

Cabinet: Remove any protective film found on the microwave oven cabinet surface. Do not remove the light brown Mica cover that is attached to the oven cavity to protect the magnetron.

Installation

1. Select a level surface that provides enough open space for the intake and/or outlet vents.



- a. The minimum installation height is 85cm.
 - b. The rear surface of appliance should be placed against a wall. Leave a minimum clearance of 30cm above the appliance, a minimum clearance of 20cm is required between the microwave oven and any adjacent walls.
 - c. Do not remove the legs from the bottom of the appliance.
 - d. Blocking the intake and/or outlet openings can damage the appliance.
 - e. Place the oven as far away from radios and TVs as possible. Operation of the microwave oven may cause interference to your radio or TV reception.
2. Plug your oven into a standard household outlet. Be sure the voltage and the frequency is the same as the voltage and the frequency on the rating label.

WARNING. Do not install the microwave oven over a cooktop or other heat-producing appliance. If installed near or over a heat source, the oven could be damaged and the warranty would be void.

The accessible surface may be hot during operation.



Basic Set Up

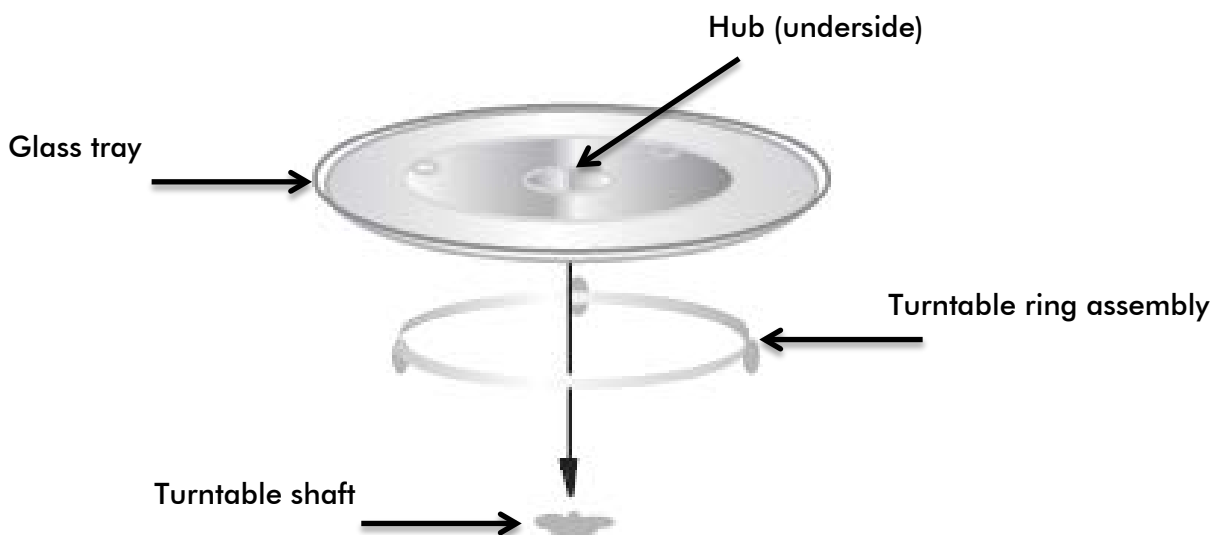
Clock Setting

1. Press 'CLOCK' and '00:00' will display.
2. Use the number keys to enter the current time (eg. If the time is 12:10, press the number keys '1,2,1,0')
3. Press 'CLOCK' to finish setting the time, the ':' will flash and then the clock will be illuminated.
4. If the numbers entered are not within range of 1:00-12:59, the setting will be invalid.

Note

1. If the 'STOP/CLEAR' button is pressed or there is no adjustment made within in 1 minute during the time setting the process, the microwave oven will automatically exit the clock setting function and go back to the former setting.
2. If the appliance is reset, follow steps 1 to 3 as the time will need to be set again.

Turntable Installation



1. Never place the glass tray upside down. The glass tray should never be restricted.
2. Both glass tray and turntable ring assembly must always be used during cooking.
3. Ensure all food and containers of food are always placed on the glass tray for cooking.
4. If glass tray or turntable ring assembly cracks or breaks, contact GVA customer care.

Operation Instructions

Power Levels

Level	10	9	8	7	6	5	4	3	2	1	0
Power	100%	90%	80%	70%	60%	50%	40%	30%	20%	10%	0%
Display	PL10	PL9	PL8	PL7	PL6	PL5	PL4	PL3	PL2	PL1	PL0

Kitchen Timer

1. Press 'KITCHEN TIMER', LED screen will display 00:00, and the first hour figure will flash.
2. Press the number keys to enter the required time for the timer.(the maximum cooking time is 99 minutes and 99 seconds)
3. Press 'START/+30SEC' to confirm setting.
4. When the timer countdown is complete, the buzzer will sound 5 times. If the clock has been set, the current time will be displayed.

Note: During kitchen timer, any program cannot be set.

Microwave Cooking Function

1. Press 'TIME COOK' once, LED screen will display '00:00'.
2. Press number keys to input the cooking time; the maximum cooking time is 99 minutes and 99 seconds.
3. Press 'POWER' once, LED screen will display 'PL10'. The default power is 100% power. Now you can press number keys to adjust the power level.
4. Press 'START/+30SEC' to start cooking.

Example: to cook food with 50% microwave power for 15 minutes.

- a. Press 'TIME COOK' once, '00:00' will display on the screen.
- b. Press '1','5','0','0' in order.
- c. Press 'POWER' once, and then press '5' to select 50% microwave power.
- d. Press 'START/+30SEC' to start cooking.

Note.

1. If the 'STOP/CLEAR' button is pressed or there is no adjustment made within in 1 minute of selecting setting for cooking, the microwave oven will automatically exit the function.
2. If 'PL0' is selected, the oven will work with fan and no power.
3. During microwave cooking, 'POWER' can be pressed to change the power you need. After pressing 'POWER', the current power will flash for 3 seconds, now you can press the corresponding number button to change the power level. The oven will work with the selected power for the rest of the cooking time.

Quick Start Function

1. In standby mode, instant cooking at 100% power level can be started by selecting a cooking time from 1 to 6 minutes by pressing number keys 1 to 6. Press 'START/+30SEC' to increase the cooking time; the maximum cooking time is 99 minutes and 99 seconds.

Operation Instructions

2. In standby mode, instant cooking at 100% power level for 30 seconds cooking time can be started by pressing 'START/+30SEC'. Each press of the same button will increase cooking time by 30 seconds. The maximum cooking time is 99 minutes and 99 seconds.

Note: during microwave cooking and defrost time, more time can be added by pressing the 'START/30SEC' button.

Weight Defrost Function

1. Press 'WEIGHT DEFROST', LED screen will display 'dEF1'.
2. Press number keys to input weight of food to be defrosted. Input the weight between the range 100~2000g.
3. If the weight input is not within 100~2000g, the input will be invalid.
4. Press 'START/+30SEC' to start defrosting, the cooking time will be displayed.

Time Defrost Function

1. Press 'TIME DEFROST', LED screen will display 'dEF2'.
2. Press number keys to input defrosting time. The effective time range is 00:01~99:99
3. The default microwave power is power level 3. If you want to change the power level, press 'POWER' once, and the LED will display 'PL 3', then press the number key of the power level you want.
4. Press 'START/+30SEC' to start defrosting. The cooking time will be displayed.

Memory Function

1. Press '0/MEMORY' to choose memory 1-3 procedure. The LED will display 1,2,3.
2. If the procedure has been set, press 'START/ +30 SEC.' to use it. If not, continue to set the procedure. Only one or two stages can be set.
3. After finishing the setting, press 'START/ +30 SEC' once to save the procedure and turn back to the waiting states. If you press 'START/ +30 SEC' again, it will start cooking.

Example: to set the following procedure as the second memory option, that is memory procedure 2. To cook the food with 80% microwave power for 3minutes and 20 seconds. The steps are as follows:

- a. In standby mode, press '0/MEMORY' twice, stop pressing until the screen displays '2'.
- b. Press 'TIME COOK' once, then press '3','2','0' in order
- c. Press 'POWER' once, 'PL10' will display, then press '8' and 'PL8' will display.
- d. Press 'START/+30 SEC' to save the setting. The buzzer will sound once then and then go back to standby mode. If you press 'START/+30SEC' again, the procedure will be saved as memory 2 and operated.
- e. If the electricity is cut off, the procedure will need to be reset.
- f. If you want to run the saved procedure, in standby mode, press '0/MEMORY' twice, the screen will display '2', then press 'START/+30SEC' to start.

Operation Instructions

Multi Stage Cooking

At most 2 stages can be set for cooking. In multi-stage cooking, if one stage is defrosting, then defrosting will be placed as the first stage automatically.

Note: Auto cooking will not work in the multi-stage cooking function.

Example: if you want to cook with 80% microwave power for 5 minutes and then at 60% microwave.

- a. Press 'TIME COOK' once, then press '5','0','0' to set the cooking time;
- b. Press 'POWER' once and then press '8' to select 80% microwave power.
- c. Press 'TIME COOK' once, then press '1','0','0','0' to set the cooking time;
- d. Press 'POWER' once, and then press "" to select 60% microwave power.
- e. Press 'START/ +30 SEC' to start cooking.

Inquiring Function

1. In the cooking state, press 'CLOCK', the LED will display the clock for three seconds.
2. In the microwave cooking state, press 'POWER' to view the microwave power level, the current microwave power will be displayed on the screen for three seconds. In the multi-stage function, follow the above to check the power level or clock.

Lock/Unlock Function

Lock: In standby mode, press 'STOP/CLEAR' for 3 seconds, there will be a long 'beep' sound denoting the children-lock state is active; the screen will display " [_ _ _] "

Unlock: In locked state, press 'STOP/CLEAR' for 3 seconds, there will be a long 'beep' sound denoting that the lock has been released.

End of cooking audio indicator

When the cooking time is complete, the buzzer will sound 5 'beep' sounds to alert that the cooking is finished.

Additional information

1. In the standby state, if the set clock digital tube displays current time, the icon ' : ' will flash; otherwise, it will show '0:00'.
2. In setting function state, LED displays corresponding setting.
3. In working or pause state, LED displays remaining cooking time.

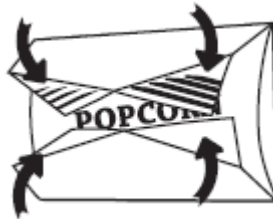
Advanced Features

Popcorn Option

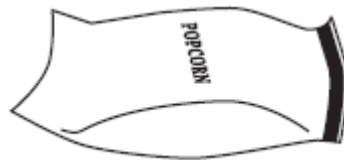
1. Press 'POPCORN' repeatedly until the number you wish appears in the display, '50', and '100'g will display in order.
2. Press 'START/+30 SEC' to cook, the buzzer will sound once. When cooking time has finished, the buzzer sounds five times and then turns back to standby mode.

IMPORTANT

1. When selecting 85-100g of popcorn, it is suggested that you fold down a triangle on each corner of the bag before cooking.



2. If/When the popcorn bag expands and no longer rotates properly, please press STOP/CLEAR button once and open the oven door and adjust the bag position to ensure even cooking.



Potato Option

1. Press 'POTATO' repeatedly until the number you wish appears in the display, '1','2','3' will display in order.
'1' SET: 1 potato (approximate 230 gram)
'2' SETS: 2 potatoes (approximate 460 gram)
'3' SETS: 3 potatoes (approximate 690 gram)
For example, press 'POTATO' once, '1' appears.
2. Press 'START/+30 SEC' to cook, the buzzer will sound once. When cooking time has finished, buzzer sounds five times and then turns back to standby mode.

Frozen Vegetables Option

1. Press 'FROZEN VEGETABLE' repeatedly until the number you wish appears in the display, '150','350','500'g will display in order.
For example, press 'FROZEN VEGETABLE' once and '150' will appear.
2. Press 'START/+30 SEC' to start the cooking and the buzzer will sound once. When cooking has finished, the buzzer will sound five times and the display will go back to the standby mode.

Beverage Option

1. Press 'BEVERAGE' repeatedly until the number you wish appears in the display, '1','2','3' cup will display in order (one cup is approximately 120ml). For example, press 'BEVERAGE' once and '1' will appear.

Advanced Features

2. Press 'START/+30 SEC.' to start cooking and the buzzer will sound once. When cooking has finished, the buzzer sounds five times and the display will go back to the standby mode.

Dinner Plate Option

1. Press 'DINNER PLATE' repeatedly until the number you wish appears in the display, '250', '350', '500'g will display in order.
For example, press 'DINNER PLATE' once and '250' will appear.
2. Press 'START/+30 SEC.' to start cooking and the buzzer will sound once. When cooking has finished, the buzzer sounds five times and the display will go back to the standby mode.

Pizza Option

1. Press 'PIZZA' repeatedly until the number you wish appears in the display, '100', '200', '400'g will display in order.
For example, press 'PIZZA' once and '100' will appear.
2. Press 'START/+30 SEC.' to start cooking and the buzzer will sound once. When cooking has finished, the buzzer sounds five times and the display will go back to the standby mode.

Hints and Tips

Materials you can use in the appliance

Aluminium foil	Shielding only. Small smooth pieces can be used to cover thin parts of meat or poultry to prevent overcooking. Arcing can occur if foil is too close to oven walls. The foil should be at least 1 inch (2.5cm) away from oven walls.
Browning dish	Follow manufacturer's instructions. The bottom of browning dish must be at least 5mm (3/16 inch) above the turntable. Incorrect usage may cause the turntable to break.
Dinnerware	Microwave-safe only. Follow manufacturer's instructions. Do not use cracked or chipped dishes.
Glass jars	Always remove lid. Use only to heat food until just warm. Most glass jars are not heat resistant and may break.
Glassware	Heat-resistant oven glassware only. Make sure there is no metallic trim. Do not use cracked or chipped dishes.
Oven cooking bags	Follow manufacturer's instructions. Do not close with metal tie. Make slits to allow steam to escape.
Paper plates and cups	Use for short-term cooking/warming only. Do not leave oven unattended while cooking.
Paper towels	Use to cover food for reheating and absorbing fat. Use with supervision for short-term cooking only.
Parchment paper	Use as a cover to prevent splattering or a wrap for steaming.
Plastic	Microwave-safe only. Follow the manufacturer's instructions. Should be labelled 'Microwave Safe'. Some plastic containers soften, as the food inside gets hot. 'Boiling bags' and tightly closed plastic bags should be slit, pierced or vented as directed by package.
Plastic wrap	Microwave-safe only. Use to cover food during cooking to retain moisture. Do not allow plastic wrap to touch food.
Thermometers	Microwave-safe only (meat and candy thermometers).
Wax paper	Use as a cover to prevent splattering and retain moisture.

Materials to avoid in the appliance

Aluminium tray	May cause arcing. Transfer food into microwave-safe dish.
Food carton with metal handle	May cause arcing. Transfer food into microwave-safe dish.
Metal or metal-trimmed utensils	Metal shields the food from microwave energy. Metal trim may cause arcing.
Metal twist ties	May cause arcing and could cause a fire in the oven.
Paper bags	May cause a fire in the oven.
Plastic foam	Plastic foam may melt or contaminate the liquid inside when exposed to high temperatures.
Wood	Wood will dry out when used in the microwave oven and may split or crack.

Troubleshooting

If you experience a problem with your microwave, please check the following table for solutions. If after these checks you are unable to solve the issue with your appliance, contact GVA customer care for advice.

Problem	Possible Cause	Solution
Microwave does not start.	Power cord is not plugged in properly	Unplug the power cord, wait 10 seconds and then plug it back into the socket.
	Circuit breaker has tripped.	Check the circuit breaker at the power board and reset if necessary.
	Trouble with outlet.	Test the outlet with other electrical appliances.
No heat in the microwave.	Door is not closed properly.	Open the door and close it again, ensure it closes properly.
The turntable makes noise when the microwave is in operation.	Turntable ring assembly or the bottom of the cavity is dirty.	Clean the microwave as per the instructions in the Care and Maintenance section.

The below may occur when the microwave oven is in operation, this is normal.

Interference with TV or radio reception.

When the microwave oven is in operation there may be interference with your TV and/or radio reception.

The light in the appliance is dim.

If a low cooking power is selected, the light in the microwave oven may be dim.

Steam accumulating on the door.

During cooking, steam may be produced and will escape through the vents, as the door of the microwave is cool the steam may accumulate here.

Care and Maintenance

Cleaning

Always turn off and unplug the appliance before cleaning.

- To clean the cavity of the oven use a slightly damp cloth.
- Clean the accessories with soapy water, rinse and dry thoroughly before placing back into the appliance.
- The door frame, seal and neighbouring parts must be cleaned carefully with a damp cloth to remove dirt.
- Do not use harsh abrasive cleaners or sharp metal scrapers to clean the oven cavity or glass in the door as this can scratch the surface or result in shattering of the glass.
- For easier cleaning of the cavity walls with baked on food, place half a lemon in a bowl, add 300mls of water and heat on 100% microwave power for 10 minutes. Wipe the oven clean using a soft, dry cloth.

Technical Specifications

Model: GVAEM720CCC

Rated Voltage: 240V~50Hz

Rated Input Power (Microwave): 1050W

Rated Output Power (Microwave): 700W

Oven Capacity: 20L

Turntable Diameter: 255mm

External Dimensions: 440 x 343 x 258mm

Weight: approximately 10kg



**THE 'V' STANDS
FOR VALUE.**

M.E.W. (Australia) Pty Ltd

15 Vaughan St

Essendon Fields VIC 3041

ACN 152 719 036

1300 725 885

customercare@gvaproductions.com.au

gvaproducts.com.au

While every effort has been made in the preparation of this instruction manual, the publishers cannot be held responsible for the accuracy of the information contained herein or any consequences arising from it.