

40cm High Velocity Floor Fan

/ GVAHV40B



Instruction Manual

12
MONTH

MANUFACTURER'S
WARRANTY

GVA

THE 'V' STANDS
FOR VALUE.

Important Safety Instructions

Thank you for choosing this GVA product. This GVA appliance has been designed and manufactured to high standards of engineering and with proper use and care, as described in this leaflet, will give you years of useful service. Please read these instructions carefully and keep them for future reference.

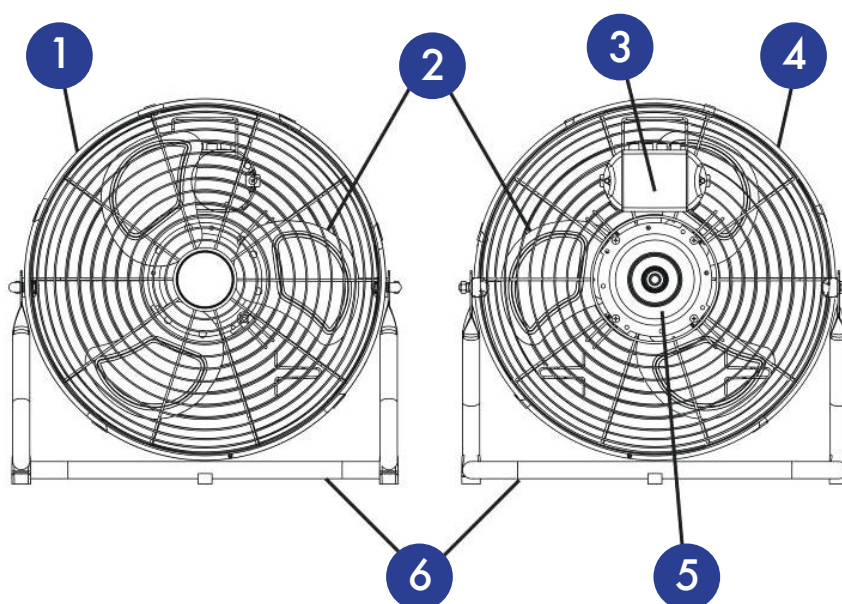
1. Use only the voltage specified on the rating plate of the appliance.
2. Keep all objects at least 1 Metre from the front, sides and rear of the appliance
3. This appliance is intended for household use only and not for commercial or industrial use.
4. Use this appliance only as described in this manual. Any other use is not recommended by the manufacturer and may cause fire, electric shock or injury.
5. The common cause of overheating is deposits of dust or fluff in the appliance. Ensure these deposits are removed regularly by unplugging the appliance and vacuum cleaning the air vents and grills.
6. Always unplug appliance when not in use.
7. When the appliance has been unpacked, check if for transport damage and ensure all parts have been delivered. If parts are missing of the appliance has been damaged, contact the CDB Customer Services Team.
8. If your appliance does not work, or is not working properly, contact the place of purchase. Repair work on the appliance by unqualified persons can cause serious risk to the user.
9. Ensure hands are dry before handling the plug or the Fan.
10. Carry out regular checks of the supply cord to ensure no damage is evident.
11. Children should be supervised to ensure that they do not play with the appliance.
12. Ensure that the cord is fully extended (not coiled) while in use.
13. Avoid contact with the moving parts. Keep hands, hair, clothing, away from blade of the Fan during operation to reduce the risk of injury to person and/or damage to the Fan.
14. Switch off and use handles provided when moving.
15. This appliance is not intended for use by persons (including children) with reduced physical, sensory or mental capabilities or lack of experience and knowledge, unless they are supervised or have been given instruction concerning the use of the Fan by a person responsible for their safety.
16. Never Place appliance close to radiant heat source.
17. Never Operate in areas where petrol, paint or other flammable liquids are used or stored.
18. Never Use the appliance to dry clothes.
19. Never Insert or allow foreign objects to enter any ventilation or exhaust opening, as this may cause an electric shock, fire or damage to the appliance.
20. Never use abrasive cleaning products on this appliance. Clean with a damp cloth (not wet) rinsed in hot soapy water only. Always remove plug from the mains supply before cleaning.
21. Never connect the appliance to mains supply until completely assembled and adjusted.
22. Never Remove plug from power socket until the appliance has been switched off.
23. Never Remove plug from power socket by pulling cord – always grip plug.
24. Never Twist, kink or wrap the cord around the appliance, as this may cause the insulation to weaken and split. Always ensure that all cord has been removed from any cord storage area and is unrolled before use.
25. Never use this appliance in the immediate surrounds of a bath, a shower, or a swimming pool or other liquids. The appliance must not be immersed in any liquids.
26. Due to the risk of injury, never use this appliance for any purpose other than its intended use. This appliance is intended for use in household and similar applications such as staff kitchen areas in shops, offices and other working environments; farm houses, by clients in hotels, motels and other residential type environments, bed and breakfast type environments
27. Never use this appliance outdoors.
28. The use of an extension cord, power board, or external timer is not recommended with this unit.
29. Never operate the appliance with a damaged cord or plug, after it malfunctions, or if it has been damaged in any manner. Have the appliance checked and repaired by a qualified electrician if repair is necessary. If the supply cord is damaged, it must be replaced by the manufacturer, its service agent or similarly qualified persons in order to avoid a hazard.

Contents

Important Safety Instructions	1
Parts of your fan	3
Operation Instructions	4
Care and Cleaning	5

Parts of your Fan

1. Front guard
2. Fan blade
3. Control box
4. Rear guard
5. Motor
6. Tube base



Operation Instructions

Fan control switch

The control switch positions are:

0 = OFF

1 = Low Speed

2 = Medium Speed

3 = High Speed

- Check that the Fan control switch is set to the off position before plugging into the mains supply.
- Place the Fan on a dry, level and sturdy surface.
- Plug the power cord into the socket, making sure the speed control is at OFF position.
- To operate the Fan push down speed control desired.



Adjust tilt by turning Fan Head (i.e. either upward or downward).

Care and Cleaning

To avoid risk of electric shock, before cleaning, you **MUST ALWAYS** switch off and unplug the Fan before cleaning.

Use only a soft, damp cloth to gently wipe the Fan and dry well.

DO NOT immerse the Fan in water and never allow water to enter the motor housing.

DO NOT use harsh chemicals to clean the Fan.

M.E.W. (Australia) Pty Ltd
15 Vaughan St
Essendon Fields VIC 3041
ACN 152 719 036
www.gvaproductions.com.au

While every effort has been made in the preparation of this instruction manual, the publishers cannot be held responsible for the accuracy of the information contained herein or any consequences arising from it.